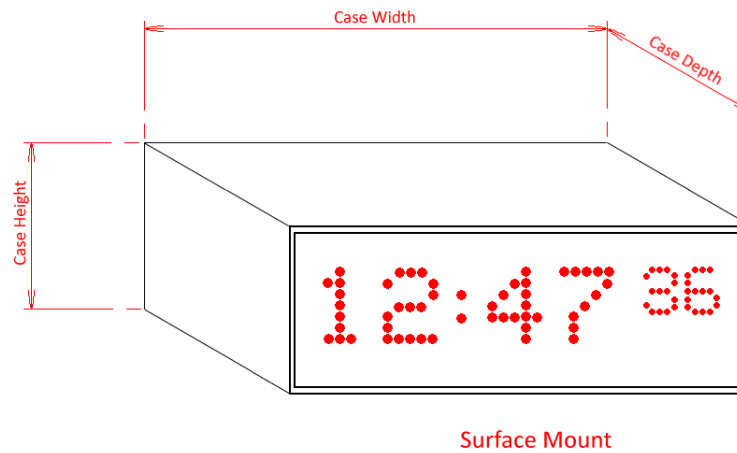
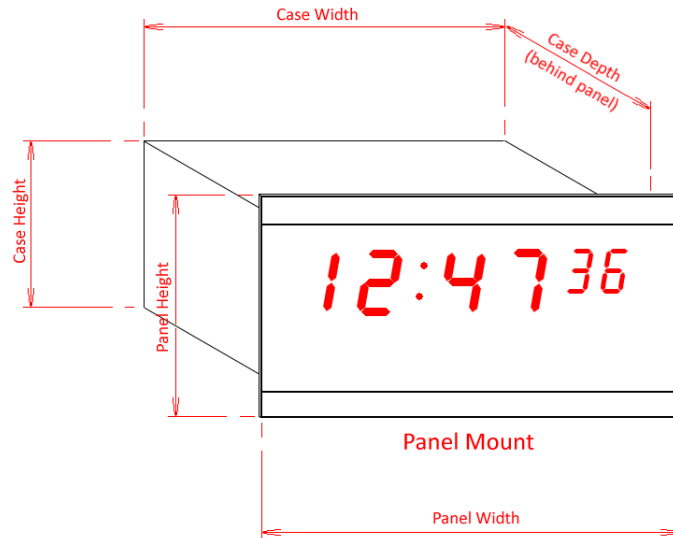


## Wharton Clocks – Dimensions, Weight, Functions Overview (Canford Listed)

### Wharton Clock Dimensions & Weight: (Canford Listed)



Model	Case Width	Case Height	Case Depth	Panel Width	Panel Height	Weight
4010x.02.FP	132	58	145	144	72	1.0
4010x.05.FP	305	90	58	317	92	1.6
4010x.05.S	305	90	58			2.5
4010x.100.S	670	180	58			3.9
4200x.05.S	240	90	58			2.0
4200x.100.S	480	180	58			3.2
4500x.05.S	550	90	58			2.2
4580x.57.S	450	240	58			4.0
4700N/5.05.S	525	750	66			10.0
474xNIL30/5.05.S	1504	180	66			17.0
4900x.02.S	144	144	58			1.1
4900x.05.S	300	300	58			2.7

- Notes:**
- .02 = 20mm character height, viewing distance approx. 7m
  - .05 = 50mm character height, viewing distance approx. 20m
  - .57 = 57mm character height, viewing distance approx. 25m
  - .100 = 100mm character height, viewing distance approx. 50m
  - .FP Flush Panel Mount
  - .S Surface Mount

All dims in mm.

All weights in kg.

Panel mount front face thickness = 3mm.

Panel mount, max surface thickness to mount onto = 22mm

## Wharton Clocks – Dimensions, Weight, Functions Overview (Canford Listed)

### Wharton Clock Functions: (Canford Listed)

4000 Series	Stand Alone Operation	Network NTP Slave	Act as 'Local Master' (up to 5 slaves)	RC100 IR Stopwatch Control	496E & External Switch Hardwired Stopwatch Slave	Wharton W482 Time Code Slave	488HS3 GPS Antenna Slave	MOBALine Analogue Impulse Slave	406 Temperature Sensor Connection
N	Yes	Yes	No!	Yes	No!	No!	No!	No!	No!
NE	Yes	Yes	Yes	Yes	Yes	Yes	Yes	Yes	Yes

OTHER SYNCHRONISATION				
Model	SMPTE/EBU LTC Slave	IRIG-B Slave	RS232 Slave	RS485/422 Slave
N	No!	No!	No!	No!
NE	Clock Listed	NSR	NSR	NSR

#### Notes:

#### OTHER SYNCHRONISATION

NE clocks with external time sync boards listed as pre-order clocks, no user fitting of boards. Once board is fitted all other external hardware interfacing is disabled on the NE clock, i.e. No 496E or other hardware stopwatch function, (IR remote stopwatch function still active), no local master, no 406 temperature sensor, no GPS sync or 482 sync etc. Red 'Yes' above would be 'No' when external time sync board factory fitted.

Aside from **OTHER SYNCHRONISATION** options, all other NE items listed 'built in'.

NSR: Non Stock Resource. Available to purchase via request, email: [enquiries@canford.co.uk](mailto:enquiries@canford.co.uk)

Connection of 406 temperature sensor prevents 'Local Master', 496E & external switch hardwired stopwatch operation of NE clocks.

4700N Time Zone Clocks same as 'N' series above but additionally can sync to W482 Wharton Time Code as well.

#### DISPLAY:

- 4010x hours/minutes/seconds
- 4200x hours/minutes
- 4500x day of week/day of month/month/hours/minutes
- 4580x countdown to event - days/hours/minutes/seconds (days on row 1 of a 2 row display)
- 4900x hours/minutes/seconds with a circular 60 second LED display marker

## Wharton Clocks – Dimensions, Weight, Functions Overview (Canford Listed)

### 4000N series clocks

(Canford Listed)

58-5222	WHARTON 4010N.02.R.FP.UK CLOCK 20mm red characters, flush panel mount, mains powered
58-5223	WHARTON 4010N.05.R.S.UK CLOCK 50mm red characters, surface mount, mains powered
58-5224	WHARTON 4010N.05.R.FP.UK CLOCK 50mm red characters, flush panel mount, mains powered
58-5225	WHARTON 4010N.05.G.FP.UK CLOCK 50mm green characters, flush panel mount, mains powered
58-5226	WHARTON 4010N.100.G.S.UK CLOCK 100mm green characters, surface mount, mains powered
58-5227	WHARTON 4010N.220.R.S.UK CLOCK 220mm red characters, surface mount, mains powered
58-5243	WHARTON 4200N.057.R.S.UK CLOCK 50mm red characters, surface mount, mains powered
58-5244	WHARTON 4200N.12.W.S.UK CLOCK 120mm white characters, surface mount, mains powered
58-5253	WHARTON 4500N.05.R.S.UK CLOCK 50mm red characters, surface mount, mains powered
58-5256	WHARTON 4580N.057.Y.S.UK CLOCK with event timer, 57mm yellow characters, surface mount, mains powered
58-5263	WHARTON 4510N.05.R.S.UK CLOCK 50mm red characters, surface mount, mains powered
58-5273	WHARTON 4600N.05.R.S.UK CLOCK 50mm red characters, surface mount, mains powered
58-5274	WHARTON 4670N.05.G.S.UK CLOCK 50mm green characters, surface mount, mains powered
58-5281	WHARTON 4900N.02.R.S.UK CLOCK 20mm red characters, surface mount, mains powered
58-5282	WHARTON 4900N.05.R.S.UK CLOCK 50mm red characters, surface mount, mains powered

### 4000NE series clocks

(Canford Listed)

58-5285	WHARTON 4010NE.02.R.FP.UK CLOCK 20mm red characters, flush panel mount, UK mains
58-5286	WHARTON 4010NE.05.R.S.UK CLOCK 50mm red characters, surface mount, UK mains
58-5287	WHARTON 4010NE.100.R.S.UK CLOCK 100mm red characters, surface mount, UK mains
58-5288	WHARTON 4010NEBU.02.R.FP.UK CLOCK 20mm red characters, EBU/SMPTE LTC in, flush panel, UK mains
58-5289	WHARTON 4010NEBU.05.R.S.UK CLOCK 50mm red characters, EBU/SMPTE LTC in, surface mount, UK mains
58-5290	WHARTON 4010NEBU.100.R.S.UK CLOCK 100mm red characters, EBU/SMPTE LTC in, surface mount, UK mains
58-5291	WHARTON 4200NE.05.R.S.UK CLOCK 50mm red characters, surface mount, UK mains
58-5292	WHARTON 4200NE.100.R.S.UK CLOCK 100mm red characters, surface mount, UK mains
58-5293	WHARTON 4500NE.05.R.S.UK CLOCK 50mm red characters, surface mount, UK mains
58-5294	WHARTON 4580NE.057.Y.S.UK CLOCK event timer, 57mm yellow characters, surface mount, UK mains
58-5295	WHARTON 4900NE.02.R.S.UK CLOCK 20mm red characters, surface mount, UK mains
58-5296	WHARTON 4900NE.05.R.S.UK CLOCK 50mm red characters, surface mount, UK mains
58-5297	WHARTON 4900NEBU.02.R.S.UK CLOCK 20mm red characters, EBU/SMPTE LTC in, surface mount, UK mains
58-5298	WHARTON 4900NEBU.05.R.S.UK CLOCK 50mm red characters, EBU/SMPTE LTC in, surface mount, UK mains

### 4000NE hardware accessories

(Canford Listed)

58-5299	WHARTON 406 TEMPERATURE SENSOR For 4000NE Series clocks, internal or external mounting, 5m cable
58-791	WHARTON 496E STOPWATCH CONTROL UNIT For 4000NE & 4000E series clocks

### 4700N series time zone clocks

(Canford Listed)

58-5177	WHARTON 4740NIL30/5.05.R.S.UK TIME ZONE CLOCK Horizontal, 50mm red characters, surface mount
58-776	WHARTON 4700N/5.05.R.S.UK TIME ZONE CLOCK Vertical, 50mm red characters, surface mount, mains powered