

D-SUB metal covers, deluxe, 45 degree entry, nickel



- 44-056 D-SUB 9 pin metal cover, deluxe, 45 degree entry, nickel
- 44-066 D-SUB 15 pin metal cover, deluxe, 45 degree entry, nickel
- 44-076 D-SUB 25 pin metal cover, deluxe, 45 degree entry, nickel
- 44-086 D-SUB 37 pin metal cover, deluxe, 45 degree entry, nickel

Product Details

45° Entry Diecast Backshells

2 piece diecast zinc backshells with conductive plastic strain relief inserts and earth connection

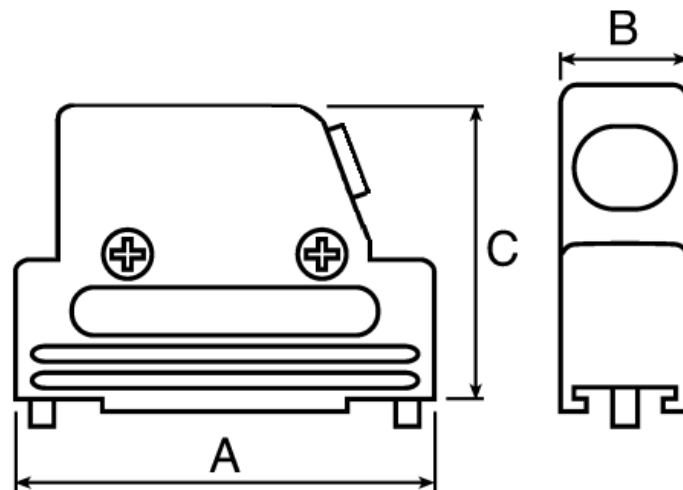
Nickel plate finish. Meets VDE0781 and FCC207 shielding regs

Attenuation; >40dB (30MHz to 1GHz)

Accepts 3.5mm to 13mm cable

Supplied with

Metal 4-40UNC thumbscrews and full instructions.



Dimensions	9-way	15-way	25-way	37-way
A (mm)	31	39.5	53.2	69.7
B (mm)	14.5	14.5	14.5	14.5
C (mm)	36.3	40.3	40.3	40.3