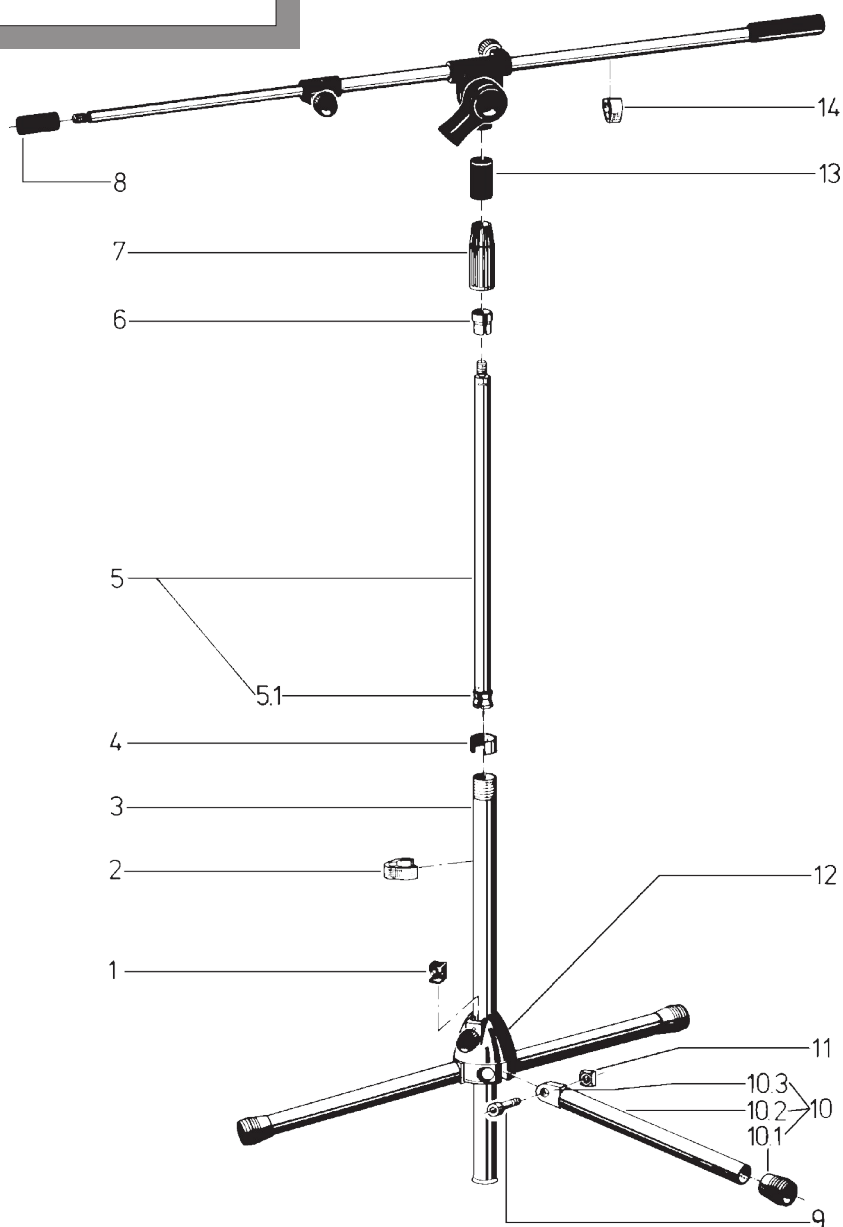


## 25600 Microphone Stand

25600.300.55 black



pos.	description	art.-no.	qty
1	plastic locking spacer	01.86.644.55	1
2	cable holder ø 20 mm	01.85.970.55	1
3	base rod	02.75.420.55	1
4	plastic bushing	01.86.540.55	1
5	extension rod with 3/8" thread	7.256.030155	1
5.1	plastic stop	01.85.070.55	1
6	plastic ring	<a href="#">01.86.820.55</a>	1
7	plastic tightening sleeve	<a href="#">01.86.920.55</a>	1
8	locking sleeve	01.86.935.55	1
9	allen screw M5 x 40 mm	03.02.180.00	3
10	complete base, consisting of:	6.83525.1.55	3
10.1	end cap	01.84.980.55	1
10.2	leg tubing	02.83.525.55	1
10.3	connector joint	01.87.939.55	1
11	locking nut	<a href="#">03.08.210.29</a>	3
12	socket	02.41.082.55	1
13	locking sleeve	01.86.940.55	1
14	cable holder ø 15 mm	<a href="#">01.85.960.55</a>	1